



PO Box 370  
 Lake Barrington, IL 60010  
 Phone # 847-277-7258  
 Fax # 847-277-7259

# DS ARMS 2017 FIREARMS DEALER PRICE SHEET

Prices subject to change without notice

## ZM4 AR15 Products

Hours: M-F 8:30am to 5:00pm CST



Black & Tan Finish

### DSArms ZM4 War-Z M4

- 5.56 caliber
- 16" lightweight 1:8 twist mid-length barrel
- 416R stainless steel barrel material
- Steel micro gas block
- 15" Midwest Industries Gen III SS handguard
- DSArms forged lightweight enhanced upper receiver
- BCM Ambi Gunfighter charging handle
- DSArms NTFE coated M16 cut bolt carrier group
- DSArms NTFE coated Mil-Spec 6 position buffer tube
- B5 Systems SOPMOD Stock
- Magpul MIAD pistol grip
- DSArms enhanced trigger guard
- CMC Trigger 4.5# flat face trigger
- Seekin's Precision Ambi selector switch
- Surefire Pro Comp muzzle device
- ARMS #71 front & rear sights included
- Includes: One Magpul PMAG, case & owner's manual.

Optic Not Included

Item# **ZM4RCR16WARZ-A**

Retail: \$1,495.00

Dealer: \$1,250.00



Optic Not Included

### DSArms ZM4

#### WerkerZ V1

- 5.56 caliber
- 16" check fluted 1:7 twist **mid-length** barrel
- 4150 steel barrel material
- Magpul MOE M-LOK handguards
- DSArms enhanced contour delta ring
- DSArms steel rail height Picatinny gas block
- DSArms forged lightweight enhanced upper receiver
- Mil-Spec M16 cut bolt carrier group
- Mil-Spec forged alloy charging handle
- DSArms enhanced trigger guard
- Magpul MOE pistol grip
- B5 Systems SOPMOD Stock
- DSArms 3 prong trident flash hider
- Includes: One Magpul PMAG, case & owner's manual

Item# **ZM4RCR16WERKERZV1-A**

Retail: \$965.00

Dealer: \$795.00



DSArms WarZ-M4  
Titanium Edition

- 5.56 caliber
- 16" lightweight 1:8 twist mid-length barrel
- 416R stainless steel barrel material
- Steel micro gas block
- 15" Midwest industries Gen III SS handguard
- DSArms forged lightweight enhanced upper receiver
- BCM Ambi Gunfighter charging handle
- DSArms NTFE coated M16 cut bolt carrier group
- DSArms NTFE coated Mil-Spec 6 position buffer tube
- B5 Systems SOPMOD Stock with DSArms Titanium upgrade
- Magpul MIAD pistol grip
- DSArms enhanced trigger guard
- Geissele SSA-E trigger
- Seekin's Precision Ambi selector switch
- DSArms enhanced Titanium parts & components
- DS Arms Titanium Enhanced Cage Flash Hider
- Includes: 1 Magpul PMAG, case & owner's manual

Item# **ZM4RCR16WARZTI-A**

Retail: \$1,695.00

Dealer: \$1,450.00



### DSArms ZM4

#### WerkerZ V2

- 5.56 caliber
- 16" HBAR check fluted 1:7 twist **carbine** barrel
- Chrome lined 4150 barrel material
- Magpul SL series M-LOK handguards
- DSArms enhanced contour delta ring
- DSArms steel rail height Picatinny gas block
- DSArms forged lightweight enhanced upper receiver
- DSArms NTFE coated forged steel charging handle
- DSArms NTFE coated M16 cut bolt carrier group
- DSArms NTFE coated Mil-Spec 6 position buffer tube
- Magpul MOE pistol grip • B5 Systems SOPMOD stock
- DSArms enhanced trigger guard
- Mil-Spec semi auto internals
- DSArms 3 prong Trident flash hider
- Includes: One Magpul PMAG, case & owner's manual

Item# **ZM4RCR16WERKERZV2-A**

Retail: \$1,065.00

Dealer: \$895.00

## ZM4 AR15 Products



DSAs ZM4 16" chrome lined flat top carbine

- 5.56 caliber
- M4 cut A3 flat top receiver
- 16" 4150 chrome lined M4 barrel
- 1:7 twist rate
- Forged front sight base with bayonet lug
- M4 handguards with heat shield
- 1/2 28 A2 flash hider
- Hogue pistol grip
- 6 position collapsible M4 stock
- 7075T6 alloy upper and lower receiver

Item# **ZM4RCR16M4CL-A**

Retail: \$850.00

Dealer: \$756.00



DSAs ZM4 16" mid-length flat top carbine

- 5.56 MM
- M4 cut A3 flat top receiver
- 16" 4140 mid-length barrel
- 1:9 twist rate
- Forged front sight base with bayonet lug
- Mid-length handguards with heat shield
- 1/2 28 A2 flashider
- Hogue pistol grip
- 6 position collapsible M4 stock
- 7075T6 alloy upper and lower receiver

Item# **ZM4RCR16MIDNONFL-A**

Retail: \$834.00

Dealer: \$742.00



DS Arms AR15 WarZ-M4 GM Edition 5.56 Rifle

- 5.56x45mm NATO Chamber & Bore
- 16" 1:7 Twist Straight Rate Fluted Mid-Length Barrel
- 4150 - 11595E Mil-Spec Barrel Material
- DSArms Titanium Set Screw Gas Block
- Geissele Automatics 13" Super MK4 Modular M-LOK Handguard
- Magpul M-LOK: Rail Panel Set & Rail Hand Stop Set
- DSArms Forged A3M4 Mil-Spec Receiver
- DSArms Forged Enhanced Lower Receiver
- Upper & Lower Receiver Are Hardcoat Anodized per MIL-A-8625F, Type III, Class 2 Finish
- Bravo Company Mod4 Gunfighter Charging Handle
- Bravo Company Ambidextrous Sling Mount End Plate
- DSArms Sand Cut NTFE Nickel Teflon Coated M16 Cut Bolt Carrier Group
- DSArms Mil-Spec 6 Position Buffer Tube
- Magpul SL Series Buttstock & SL Pistol Grip
- DSArms Enhanced Alloy Trigger Guard
- ALG Defense ACT - Advanced Combat Trigger
- Seekins Precision Ambidextrous Selector
- **DSArms HGTi Titanium:** Enhanced Bird Cage Flash Hider, Takedown & Pivot Pins, Buffer Tube Lock, Hammer - Trigger Axis Pins Ring, Buffer Retainer & Bolt Catch Detent, Ejection Port Door Pin
- DSArms Enhanced Bolt Catch, Magpul 30 Rnd Mag

Item# **ZM4RCR16WARZGM-A**

Retail: \$1,365.00

Dealer: \$1,090.00



DSArms AR15 WAR-ZM4 Titanium V2 Edition 5.56

- 5.56x45mm NATO Chamber & Bore
- 16" 1:8 Twist Rate Lightweight Mid-Length Barrel
- 416-R Stainless Steel Barrel Material
- DSArms Titanium Set Screw Gas Block
- Midwest Industries 12.5" Free Float M-LOK Light Weight Handguard
- Magpul Rubber M-LOK Rail
- DSArms Forged Lightweight Enhanced Receiver
- DSArms Forged Enhanced Lower Receiver
- Upper & Lower Receiver Are Hardcoat Anodized per MIL-A-8625F, Type III, Class 2 Finish
- Bravo Company Mod4 Gunfighter Charging Handle
- DSArms Sand Cut NTFE Nickel Teflon Coated M16 Cut Bolt Carrier Group
- DSArms NTFE Nickel Teflon Coated Mil-Spec 6 Position Buffer Tube
- B5 Systems Bravo Stock with DSArms HGTi Titanium Buttstock Metal, Magpul SL Pistol Grip
- DSArms Enhanced Alloy Trigger Guard
- Geissele Autom. SDC-Super Dynamic Combat Trigger
- Seekins Precision Ambidextrous Selector
- **DSArms HGTi Titanium:** Enhanced Bird Cage Flash Hider, Takedown & Pivot Pins, Buffer Tube Lock, Hammer - Trigger Axis Pins Ring, Buffer Retainer & Bolt Catch Detent, Ejection Port Door Pin
- DSArms NTFE Nickel Teflon Coated: Ejection Port Door & Enhanced Bolt Catch, Magpul 30 Round P MAG

Item# **ZM4RCR16WARZTI-V2-A**

Retail: \$1,695.00

Dealer: \$1,450.00

## ZM4 AR15 Products



DSA ZM4 AR15 lower receiver.

- Made from 7075 T6 aluminum forging
- Type 3 hard coat anodized finish

Item# **ZM4R**

Retail: \$104.95

Dealer: \$75.00



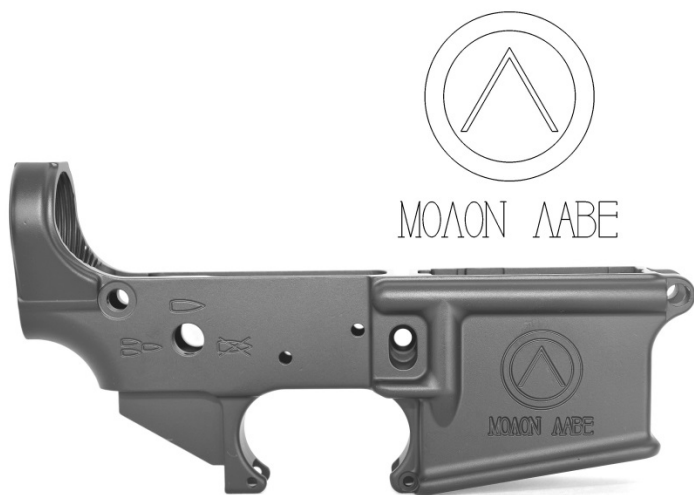
DSA ZM4 AR15 lower receiver. **DON'T TREAD ON ME**

- Made from 7075 T6 aluminum forging
- Type 3 hard coat anodized finish
- Custom engraved: **GADSDEN FLAG**

Item# **ZM4RDTOM**

Retail: \$119.95

Dealer: \$85.00



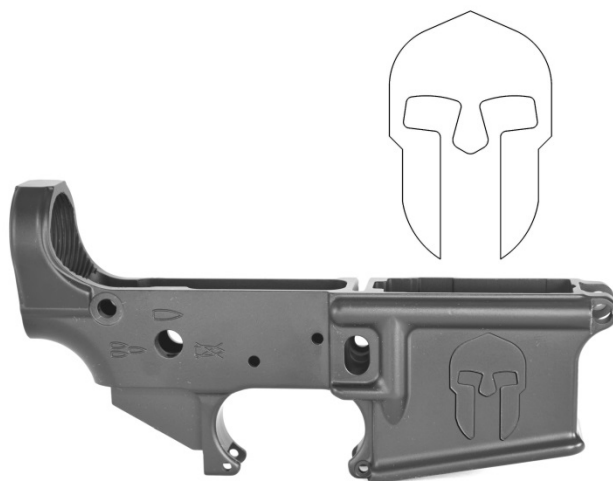
DSA ZM4 AR15 lower receiver. **SPARTAN**

- Made from 7075 T6 aluminum forging
- Type 3 hard coat anodized finish
- Custom engraved: **MOLON LABE**

Item# **ZM4RSPARTAN**

Retail: \$119.95

Dealer: \$85.00



DSA ZM4 AR15 lower receiver. **SPARTAN SHIELD**

- Made from 7075 T6 aluminum forging
- Type 3 hard coat anodized finish
- Custom engraved: **SPARTANSHIELD**

Item# **ZM4RSPARTANSHIELD**

Retail: \$119.95

Dealer: \$85.00

## ZM4 AR15 Products



### DSA ZM4 AR15 lower receiver. **PUNISHER**

- Made from 7075 T6 aluminum forging
- Type 3 hard coat anodized finish
- Custom engraved: **PUNISHER**

**Item# ZM4RPUNISHER**

**Retail: \$119.95**

**Dealer: \$85.00**



### DSA ZM4 complete AR15 lower receiver

- Made from 7075 T6 aluminum forging
- Type 3 hard coat anodized finish
- Complete with internals
- 6 position collapsible M4 stock

**Item# ZM4R8988-A**

**Retail: \$229.95**

**Dealer: \$180.00**



### DSA ZM4 complete AR15 SPARTAN lower receiver

- Made from 7075 T6 aluminum forging
- Type 3 hard coat anodized finish
- Complete with internals
- 6 position collapsible M4 stock
- Custom Engraved: **MOLON LABE**

**Item# ZM4R8988SPARTAN-A**

**Retail: \$244.95**

**Dealer: \$195.00**



### DSA ZM4 complete AR15 engraved lower receiver

- Made from 7075 T6 aluminum forging
- Type 3 hard coat anodized finish
- Complete with internals
- 6 position collapsible M4 stock
- Custom engraved: **DON'T TREAD ON ME**

**Item# ZM4R8988DTOM-A**

**Retail: \$244.95**

**Dealer: \$195.00**

## FAL SA58 Products



*U.S. Made SA58 FAL VOYAGER*

- 21" premium threaded barrel
- 7.62X51mm caliber
- Type 1 None carry handle cut cast receiver
- Belgian short flash hider
- Lightweight aluminum lower receiver
- **Parkerized finish**

- Injection molded fiberglass reinforced military grade hdguard
- Standard synthetic buttstock
- Standard synthetic pistol grip
- Elevation adjustable protected post front sight
- Holland style rear sight
- Detachable 10 or 20 round magazine
- Owners manual, hard case, adjustable sling Included

**Item# SA5821VOY-A**

**Retail: \$1,200.00**

**Dealer: \$965.00**

### Voyager Rifles Also Available in 16" and 18" Barrel Length

**Item# SA5816VOY-A, Item# SA5818VOY-A**



**Black Duracoat Included**

*U.S. Made SA58 FAL CARBINE rifle*

- 16" bi-pod cut barrel
- 7.62 X 51MM caliber
- Type 1 or type 2 receiver
- Belgian flash hider
- U.S. made glass filled nylon furniture
- X-series or humpback stock
- Light weight alloy lower receiver
- 20 round magazine
- Owners manual, hard case, sling included

**Item# SA5816C-A**

**Retail: \$1,700.00**

**Dealer: \$1,390.00**



**Black Duracoat Included**

*U.S. Made SA58 FAL PARA CARBINE rifle*

- 16" bi-pod cut barrel
- 7.62 X 51MM caliber
- Type 1 or type 2 receiver
- Belgian flash hider
- U.S. made glass filled nylon furniture
- PARA folding stock
- Light weight alloy PARA lower receiver
- 20 round magazine
- Owners Manual, Hard Case, Sling Included

**Item# SA5816CP-A**

**Retail: \$1,975.00**

**Dealer: \$1,650.00**



**Black Duracoat Included**

*U.S. Made SA58 FAL CONGO rifle*

- 18" bi-pod cut barrel
- 7.62 X 51MM caliber
- Type 1 or type 2 receiver
- Belgian flash hider
- U.S. made glass filled nylon furniture
- X-series or humpback stock
- Light weight alloy lower receiver
- 20 round magazine
- Owners manual, hard case, sling included

**Item# SA5818C-A**

**Retail: \$1,700.00**

**Dealer: \$1,390.00**



**Black Duracoat Included**

*U.S. Made SA58 FAL PARA CONGO rifle*

- 18" bi-pod cut barrel
- 7.62 X 51MM caliber
- Type 1 or type 2 receiver
- Belgian flash hider
- U.S. made glass filled nylon furniture
- PARA folding stock
- Light weight alloy PARA lower receiver
- 20 round magazine
- Owners manual, hard case, sling included

**Item# SA5818CP-A**

**Retail: \$1,975.00**

**Dealer: \$1,650.00**

## FAL SA58 Products



**Black Duracoat Included**

**U.S. Made SA58 FAL CTC rifle**

- 16" fluted medium weight barrel
- 7.62 X 51MM caliber
- Type 1 or type 2 receiver
- Trident flash hider, 5/8 24
- U.S. made glass filled nylon furniture
- X-series or humpback stock
- Light weight alloy lower receiver
- 20 round magazine
- Owners manual, hard case, sling included

**Item# SA5816TAC-A**

**Retail: \$1,700.00**

**Dealer: \$1,390.00**



**Black Duracoat Included**

**U.S. Made SA58 FAL PARA CTC rifle**

- 16" fluted medium weight barrel
- 7.62 X 51MM caliber
- Type 1 or type 2 receiver
- Trident flash hider, 5/8 24
- U.S. made glass filled nylon furniture
- Magpul CTR side folding stock w/ cheek riser
- Extended scope mount
- Light weight alloy PARA lower receiver
- 20 round magazine
- Owners manual, hard case, sling included

**Item# SA5816TACP-A**

**Retail: \$2,175.00**

**Dealer: \$1,850.00**



**Black Duracoat Included**

**U.S. Made SA58 FAL PARA ELITE rifle**

- U.S. made SA58 FAL rifle
- 13" barrel with soldered flash hider, 16" OAL
- 7.62 X 51MM caliber
- Type 1 or type 2 receiver
- Long Browning flash hider
- U.S. made glass filled nylon furniture
- PARA folding stock
- Light weight alloy PARA lower receiver
- 20 round magazine
- Owners manual, hard case, sling included

**Item# SA5813ELITEP-A**

**Retail: \$1,975.00**

**Dealer: \$1,650.00**



**Black Duracoat Included**

**U.S. Made SA58 FAL MEDIUM CONTOUR rifle**

- 21" medium contour barrel
- 7.62 X 51MM caliber
- Type 1 or type 2 receiver
- Belgian flash hider
- U.S. made glass filled nylon furniture
- X-series or humpback stock
- Light weight alloy lower receiver
- 20 round magazine
- Owners manual, hard case, sling included

**Item# SA5821MCCM-A**

**Retail: \$1,700.00**

**Dealer: \$1,390.00**



**Black Duracoat Included**

**U.S. Made SA58 FAL STANDARD rifle**

- 21" bi-pod cut barrel
- 7.62 X 51MM caliber
- Type 1 or type 2 receiver
- Belgian flash hider
- U.S. made glass filled nylon furniture
- X-series or humpback stock
- Light weight alloy lower receiver
- 20 round magazine
- Owners manual, hard case, sling included
- **BLACK DURACOAT INCLUDED**

**Item# SA5821S-A**

**Retail: \$1,700.00**

**Dealer: \$1,390.00**



**Black Duracoat Included**

**U.S. Made SA58 FAL PARA STANDARD rifle**

- 21" bi-pod cut barrel
- 7.62 X 51MM caliber
- Type 1 or type 2 receiver
- Belgian flash hider
- U.S. made glass filled nylon furniture
- PARA folding stock
- Light weight alloy PARA lower receiver
- 20 round magazine
- Owners manual, hard case, sling included
- **BLACK DURACOAT INCLUDED**

**Item# SA5821SP-A**

**Retail: \$1,975.00**

**Dealer: \$1,650.00**

## FAL SA58 Products



**Optic Not Included**  
**Black Duracoat Included**

### U.S. Made SA58 FAL OSW rifle

- 11" or 13" barrel
- 7.62 X 51MM caliber
- Type 1 or type 2 receiver
- Trident flash hider, 5/8 24
- U.S. made synthetic furniture
- PARA folding stock
- Magpul CTR side folding stock
- Extended scope mount
- Light weight alloy PARA lower receiver
- 20 round magazine
- Owners manual, hard case, sling included
- BLACK DURACOAT INCLUDED
- ALL NFA RULES APPLY.

Item# **SA5811OSW-A** and **SA58OSW13-A**  
Retail: \$2,175.00      Dealer: \$1,850.00



**Optic & Bipod**  
**Not Included**

### DSA SA58 16" Designated Marksman Rifle - DMR Edition (DSArms Designated Marksman Rifle)

- 7.62 X 51MM Caliber
- 16.25" Fluted Medium Contour Barrel
- Barrel Threaded 5/8x24
- DS Arms Short Gas Piston System
- Type 1 Non Carry Handle Cut Receiver
- DS Arms WarZ Extended Length Flash Hider
- DS Arms Extreme Duty Extended Scope Mount
- DS Arms SAW Style Pistol Grip
- DS Arms Short Gas System Enhanced Rail Interface Handguard
- Magpul Fully Adjustable PRS Precision Rifle Stock
- PARA Rear Sight With Windage Knob
- Light Weight Alloy PARA Lower Trigger Housing
- DS Arms Speed Trigger Upgrade Included - 5.5 Pound Pull
- 20 Round Magazine
- Owner's Manual, Hard Case and Sling Included.
- Matte Black Duracoat Finish Included

Item# **SA5816DMR-A**  
Retail: \$1,995.00      Dealer: \$1,685.00



**Black Duracoat Included**

### U.S. Made SA58 FAL PISTOL

- 8" pistol barrel
- 7.62 X 51MM caliber
- Type 1 or type 2 receiver
- Trident flash hider, 5/8 24
- U.S. made glass filled nylon furniture
- PARA extended scope mount
- Light weight alloy PISTOL lower receiver
- 20 round magazine
- SAW pistol grip
- Folding cocking handle
- Owners manual, soft case, sling included

Item# **SA588TACPISTOL-A**  
Retail: \$1,695.00      Dealer: \$1,395.00



**Black Duracoat**  
**Included**

### U.S. Made SA58 FAL PISTOL w/ side folding arm brace

- 8" pistol barrel
- 7.62 X 51MM caliber
- Type 1 or type 2 receiver
- Trident flash hider, 5/8 24
- U.S. made glass filled nylon furniture
- PARA extended scope mount
- Light weight alloy PISTOL lower receiver
- 20 round magazine
- SAW pistol grip
- Folding cocking handle
- Side folding PARA knuckle
- Includes tube and SIG arm brace
- Owners manual, soft case, sling included

Item# **SA58825PISTOLBRC-A**  
Retail: \$1,895.00      Dealer: \$1,595.00

## FAL SA58 Products



### **SPECIAL PURPOSE RIFLE**

**U.S. Made SA58 FAL PARA S.P.R.**

- 19" Fluted Medium Weight Tactical Barrel
- 7.62 X 51MM caliber
- Metric Type 1 Receiver - Non Carry Handle Cut
- Fully Adjustable Side Folding PARA S.P.R. Stock
- SilencerCo Trifecta Suppressor Mount Flash Hider
- Full Length Rail Interface Handguard
- SAW Pistol Grip
- Extended Extreme Duty PARA Scope Mount
- BT Industries Folding Vertical Fore Grip
- BT Industries Adjustable Monopod
- Magpul PRO front and rear steel sights
- Extended Semi Auto Selector Switch
- Leupold 3.5x10x40 MK4 Optic
- American Defense MFG. QD Scope Mount - 30mm
- Detachable Brass Catcher Bag
- DS Arms Speed Trigger Upgrade
- Atlas Bipod Model BT10-LW7 With American Defense QD Mount – 4.75" to 9"
- Duracoat Matte Black Protective Finish
- Light Weight Alloy PARA Lower Trigger Frame
- 3-10 Round Competition Magazines
- Owners Manual, Custom Hard Case & Sling

**Item# SA5819SPR-A**

**Retail: \$4,795.00**

**Dealer: \$3,954.00**

## DS ARMS HGTi TITANIUM EDITION SA58 FAL RIFLES



DS Arms Will Have Full Production HGTi Titanium Rifles In **2017!**

These Rifles Will Feature Titanium Upper Receivers As Well As A Number Of Additional HGTi Titanium Parts & Upgraded Features.

**Prices And Production Details To Follow In The Coming Months**



# FAL SA58 Products



Type 1 carry handle cut receiver  
**Item# 0291CHC-A**  
Retail: \$384.95    Dealer: \$325.00



Type 1 Non-carry handle cut receiver  
**Item# 0291NCHC-A**  
Retail: \$384.95    Dealer: \$325.00



Type 2 carry handle cut receiver  
**Item# 0292CHC-A**  
Retail: \$384.95  
Dealer: \$325.00



## DS Arms U.S. Made Metric FAL Magazine

30 round capacity. **Item# 11730-A**  
Retail: \$29.95    Dealer: \$22.00



20 round capacity. **Item# 11720-A**  
Retail: \$24.95    Dealer: \$18.00



10 round capacity. **Item# 11710-A**  
Retail: \$29.95    Dealer: \$22.00



5 round capacity. **Item# 1175-A**  
Retail: \$29.95    Dealer: \$22.00

## RPD Products

### THE RPD

(Ruchnoy Pulemyot Degtyaryova)

- These classic reproductions are true to form just as originally issued only in semiautomatic.

- One of the most battle tested and affordable belt-fed systems available.

- Each unit comes with its original field/deployment kit.

- The RPD was the 1st belt-fed machine gun designed to fire in 7.62X39mm.

- The system was issued by the Soviet Army, China, North Korea and many others throughout the Eastern Bloc as well as Africa and S. America.

- The RPD was also used by U.S. SOF in Vietnam.

- They feature new U.S. made receivers, barrels and the proper 922R compliance components.



### RPD TRADITIONAL RIFLE

- U.S. made RPD rifle
- 20.5" barrel
- 7.62 X 39MM caliber
- Billet machined receiver
- Belt fed semi automatic
- Two 100 round belt and drum sets
- Carry bag, sling, owners manual, hard case
- Overall length: 42 inches
- Length of pull: 12.5 inches
- Sight radius: 23 inches
- Weight, unloaded: 16.7 pounds

Item# **RPD205RIFLE-A**

Retail: \$2,200.00

Dealer: \$1,850.00



### RPD CARBINE RIFLE

- U.S. made RPD carbine
- 17.5" enhanced fluted barrel
- 7.62 X 39MM caliber
- Billet machined receiver
- Belt fed semi automatic
- Two 100 round belt and drum sets
- Quad rail handguard
- SAW style pistol grip
- Fully adjustable AR15 type stock
- Light weight alloy lower trigger frame
- Carry bag, sling, owners manual, hard case
- Saw bag adaptor
- Overall length, extended: 40.5 inches
- Overall length, closed: 36 inches
- Length of pull, extended: 15.5 inches
- Length of Pull, closed: 12 inches
- Sight radius: 17.5 inches
- Weight, unloaded: 13.6

Item# **RPD175CARBINE-A**

Retail: \$2,850.00

Dealer: \$2,450.00



### RPD SHORT RIFLE

- U.S. made RPD rifle
- 7.62 X 39MM caliber
- Billet machined receiver
- 16.5" barrel, 7.62 X 39mm
- Weight, Unloaded: 16.2 pounds
- Overall Length: 37.75 Inches
- Overall Length: 37.75 Inches
- Length of Pull: 12.5 Inches
- Belt fed semiautomatic,
- 2 100 rnd belt and drum sets
- Carry bag, sling, owners manual, hard case

Item# **RPD1625RIFLE-A**

Retail: \$2,500.00

Dealer: \$2,150.00



RPD Semi Auto Only Stripped Receiver

Item# **RPDDSA-A**

Retail: \$374.95

Dealer: \$345.00